

Copyright© 2004 by Big Bike Parts, Inc.® No part of this instruction sheet may be reproduced without the written permission of Big bike Parts, Inc. ®

PASSENGER BOARD RISERS
PART NO. 52-693

HONDA GL1500 GOLDWING
HONDA GL1800 GOLDWING

REVISED 12-16-04

TOOLS NEEDED: 13MM SOCKET
5MM ALLEN WRENCH
8MM ALLEN WRENCH

INSTALLATION:

1. USING 8MM ALLEN WRENCH REMOVE THE TWO BOLTS (1A) HOLDING THE PASSENGER FLOORBOARD (1B) TO THE FRAME.
2. USING A 5MM ALLEN WRENCH AND 13MM SOCKET, INSTALL THE FLOORBOARD TO THE RISER PLATE (2A) USING TWO M8 X 1.25 X 30 FLATHEAD SCREWS (2B), TWO FLAT WASHERS (2C) AND TWO LOCKNUTS (2D). DETERMINE WHICH POSITION YOUR PASSENGER WOULD LIKE TO HAVE THE BOARDS AT BEFORE TIGHTENING DOWN.
3. USING 5MM ALLEN WRENCH INSTALL THE FLOORBOARD WITH RISER ON THE MOTORCYCLE USING TWO M8 X 1.25 X 40 FLATHEAD SCREWS (2E) AND TWO SPACERS (2F).
4. REPEAT STEPS 1 – 3 FOR THE OTHER SIDE.

FIG. 1

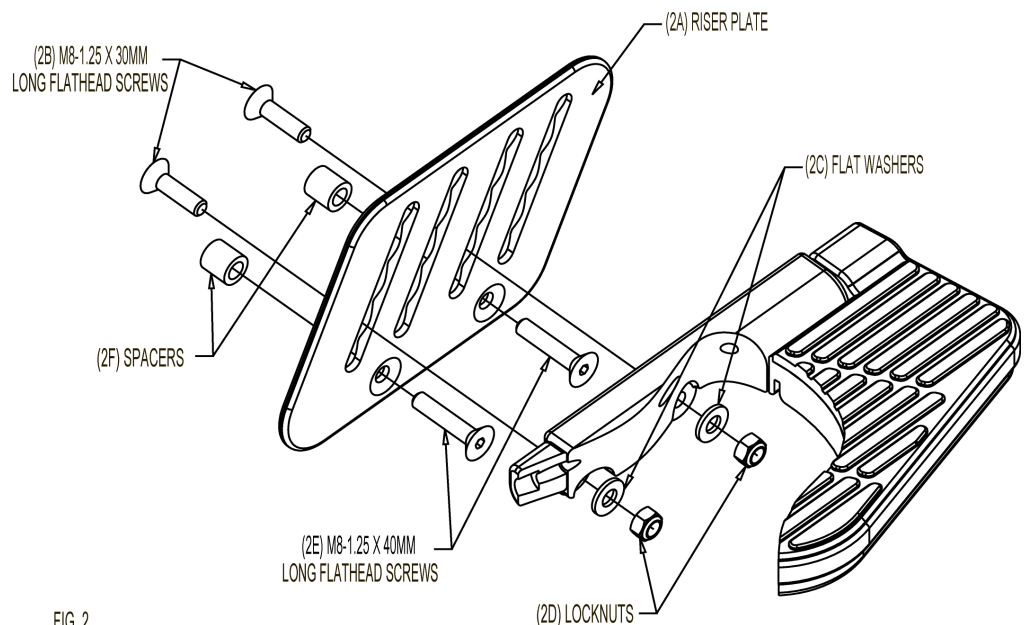
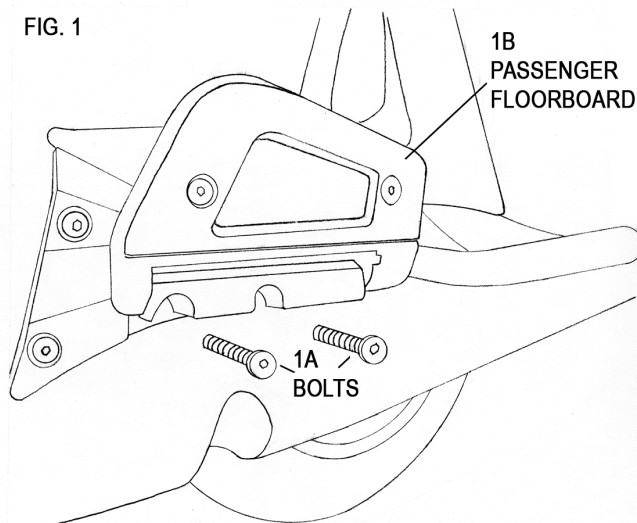


FIG. 2